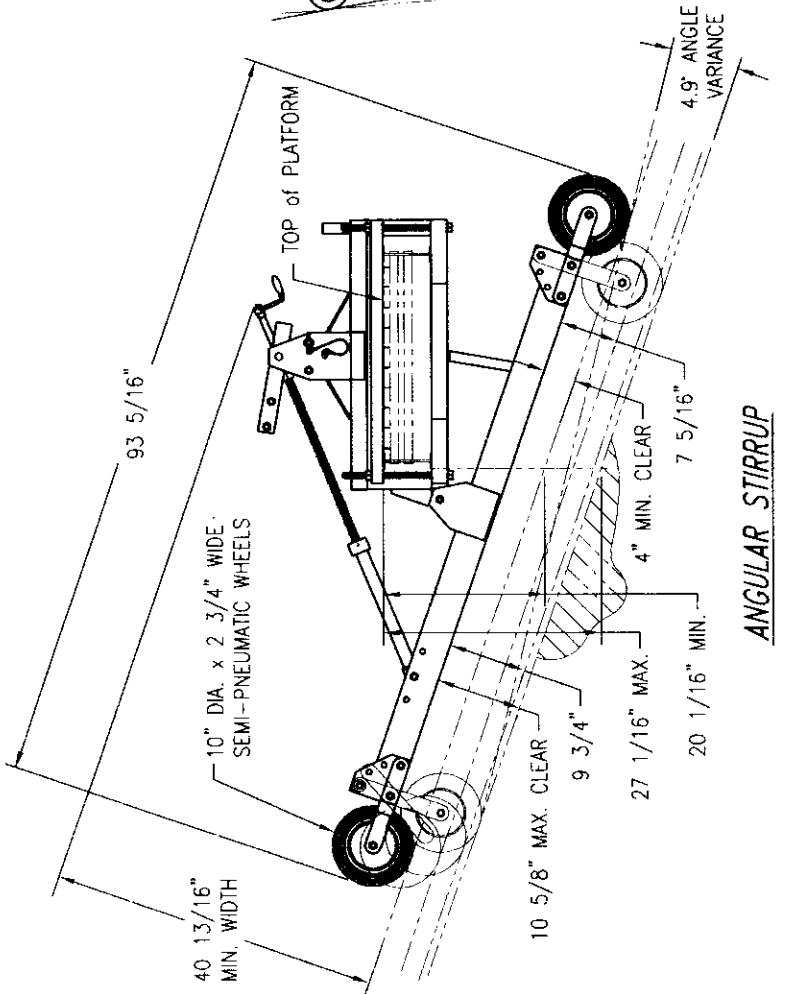


ANGULAR STIRRUPS

Model No.	DESCRIPTION	WEIGHT
150-200	ANGULAR STIRRUP - P4	148 lbs.
150-200S	Safeway Mount Angular Stirrup	156 lbs.
150-201	Universal Mount Angular Stirrup	152 lbs.
150-202L	ALTREX MODULAR - UNIVERSAL MOUNT	148 lbs.
150-202R	ALTREX MODULAR - UNIVERSAL MOUNT	148 lbs.
150-203L	SWING STAGE MODULAR - UNIVERSAL MOUNT	165 lbs.
150-203R	SWING STAGE MODULAR - UNIVERSAL MOUNT	165 lbs.
150-207L	SPIDER MODULAR - UNIVERSAL MOUNT	152 lbs.
150-207R	SPIDER MODULAR - UNIVERSAL MOUNT	152 lbs.

NOTE: Posts, Guardrails, & Toeboards not shown for clarity



ANGULAR STIRRUP

