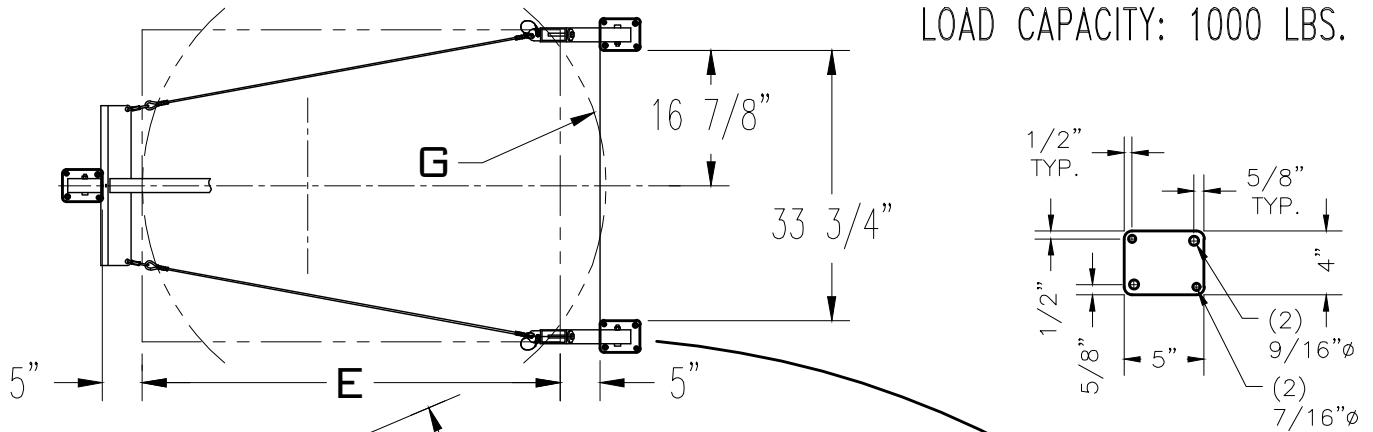


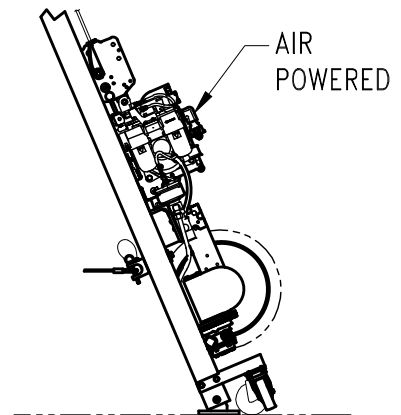
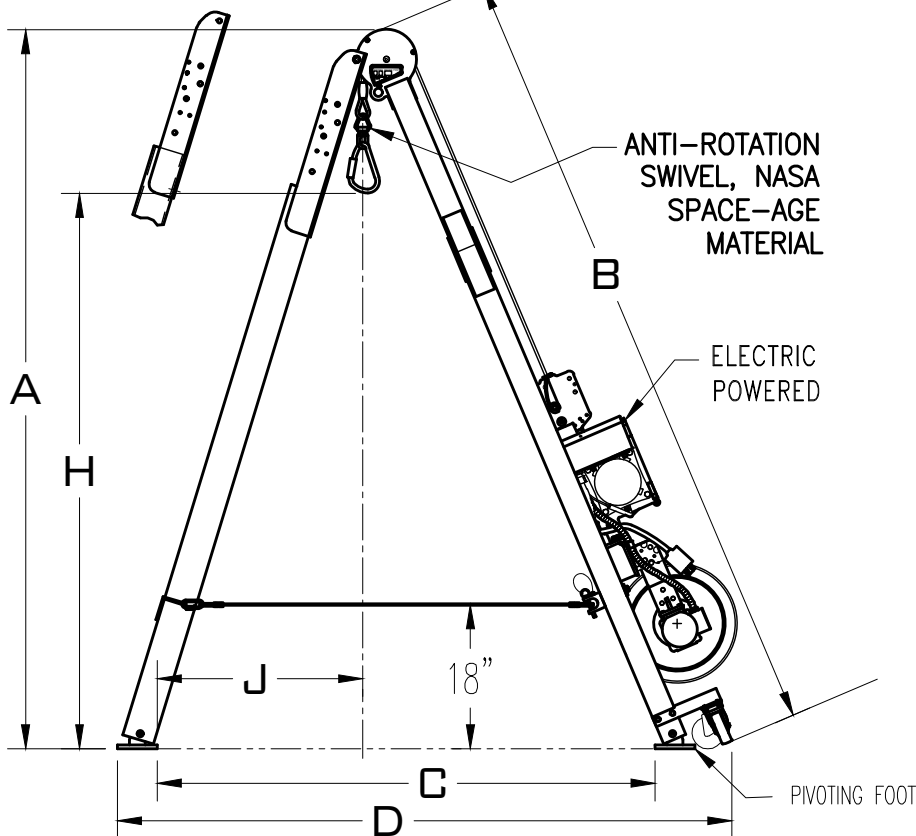
SPIRIT POWERED TRIPOD HOISTS

MODEL NUMBER	SIZE / POWERED BY	WEIGHT	STANDING HEIGHT "A"	MOVING HEIGHT "B"	INSIDE OPEN WIDTH "C"	OVERALL OPEN WIDTH "D"	HOLE WIDTH "E"	HOLE DIAMETER "G"	DIM. "H"	DIM. "J"
139-448	EXTRA SMALL ELECT.	* LBS	5'-0"	5'-6 9/16"	3'-4 13/32"	4'-6 15/16"	2'-6 13/32"	37 1/2"	3'-3 7/8"	16-1/2"
139-449	EXTRA SMALL AIR	* LBS	(60")	(66-9/16")	(40-13/32")	(54-15/16")	(30 13/32")	REFERENCE		
139-450	SMALL ELECTRIC	251 LBS	5'-10 3/4"	6'-6 3/16"	4'-0 23/64"	5'-2 15/16"	3'-2 3/8"	44 3/8"	4'-2 1/8"	19-15/16"
139-451	SMALL AIR	240 LBS	(70-3/4")	(78-3/16")	(48-23/64")	(62-15/16")	(38 3/8")	REFERENCE		
139-452	MEDIUM ELECTRIC	263 LBS	7'-6"	8'-3 1/16"	5'-2 7/32"	6'-4 13/16"	4'-4 3/16"	57"	5'-9 1/4"	25-11/16"
139-453	MEDIUM AIR	251 LBS	(90")	(99-1/16")	(62-7/32")	(76-13/16")	(52 3/16")	REFERENCE		
139-454	LARGE ELECTRIC	271 LBS	8'-10 9/16"	9'-9 1/8"	6'-2 13/32"	7'-5"	5'-4 3/8"	68 3/8"	7'-2"	30 3/4"
139-455	LARGE AIR	259 LBS	(96-9/16")	(117-1/8")	(74-13/32")	(89")	(64 3/8")	REFERENCE		

LOAD CAPACITY: 1000 LBS.



TYP. FOOT



LISBON HOIST, INC. \www.lisbonhoist.com
SPTH-SPQH AUG2017 (11X17)