

AIR POWERED HOIST

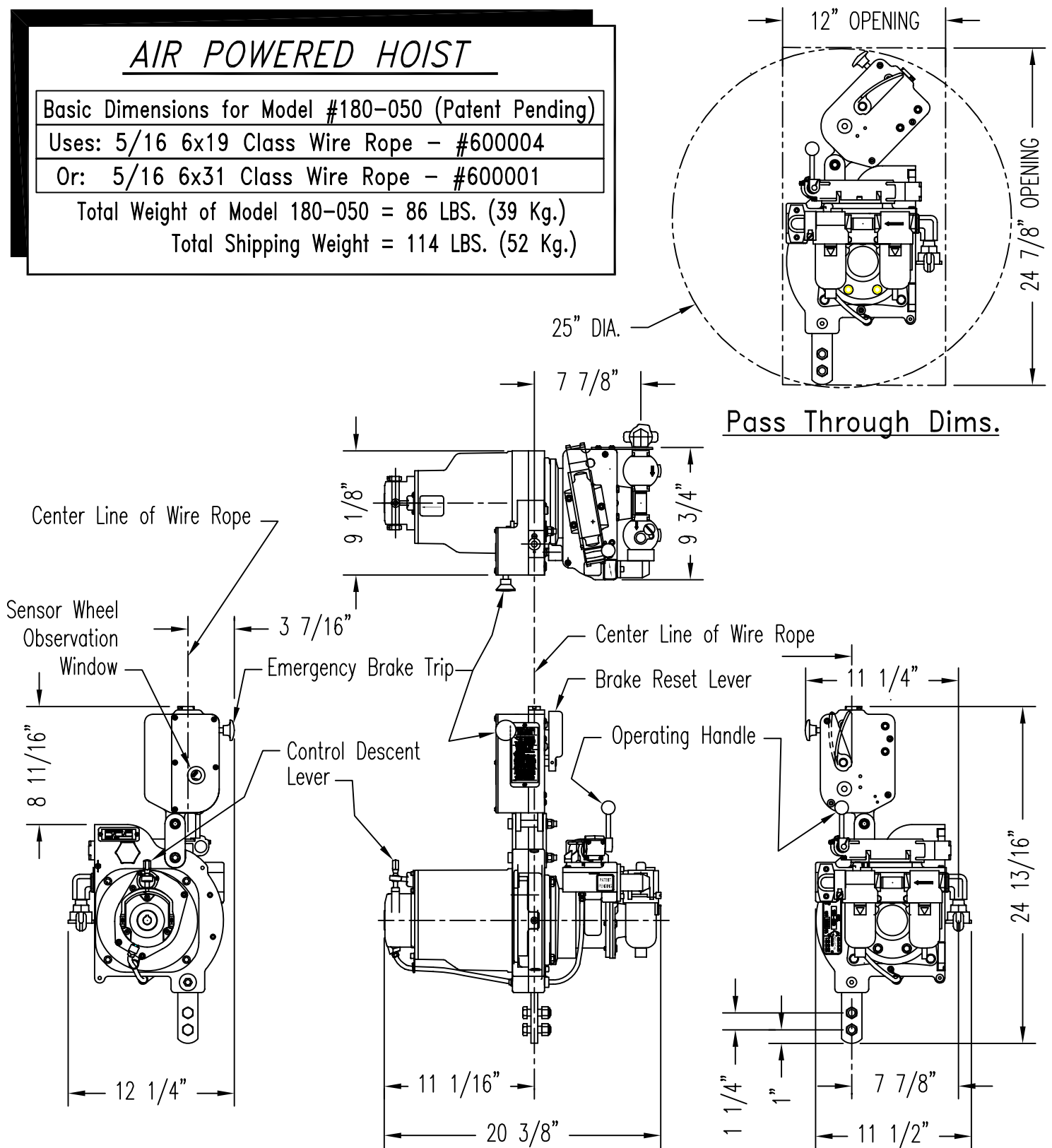
Basic Dimensions for Model #180-050 (Patent Pending)

Uses: 5/16 6x19 Class Wire Rope - #600004

Or: 5/16 6x31 Class Wire Rope - #600001

Total Weight of Model 180-050 = 86 LBS. (39 Kg.)

Total Shipping Weight = 114 LBS. (52 Kg.)



GENERAL NOTES: Hoist Performance

The Following Data Compiled Lifting 1000 lbs. (Travels Faster with Less Weight) :

- 1) Travels 35 ft./min. With 100 PSI & 62 CFM Air Flow
- 2) Travels 31 ft./min. With 90 PSI & 55 CFM Air Flow
- 3) Travels 26 ft./min. With 80 PSI & 45 CFM Air Flow
- 4) Travels 18 ft./min. With 70 PSI & 35 CFM Air Flow
- 5) Travels 10 ft./min. With 60 PSI & 23 CFM Air Flow